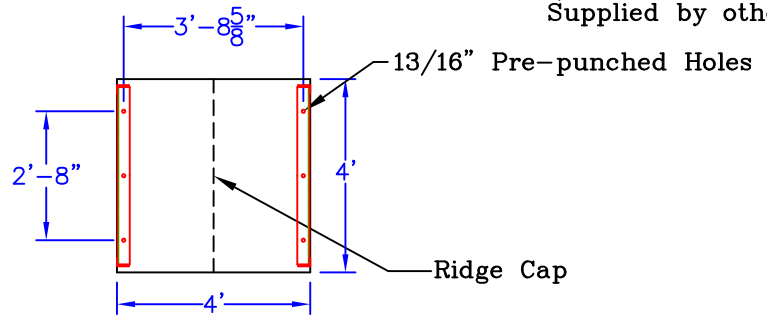


**Elevation View**

**Skeleton Front/Rear View**

**Skeleton Side View**

**Steeple Data**  
 Overall Width = 4'-0"  
 Overall Length = 4'-0"  
 Overall Height = 22'-0"  
 Unit Weight = 400 lbs.



**Mounting Detail**

Note: All drawings are the property of Piedmont Fiberglass Inc. Dimensions and designs may be altered slightly to accommodate manufacturing.



P.O. Box 1089  
 Taylorsville, NC 28681  
 Phone: 828-632-8883 Fax: 828-632-5585  
 www.PiedmontFiberglass.com

**AMBASSADOR**

Model :  
**9-4-WI-BALL-AND-CROSS**

Scale:  
**SCALE**  
 Drawn by:  
 DLC/JEM  
 Created On  
 9/25/99  
 Updated On  
 03/24/09