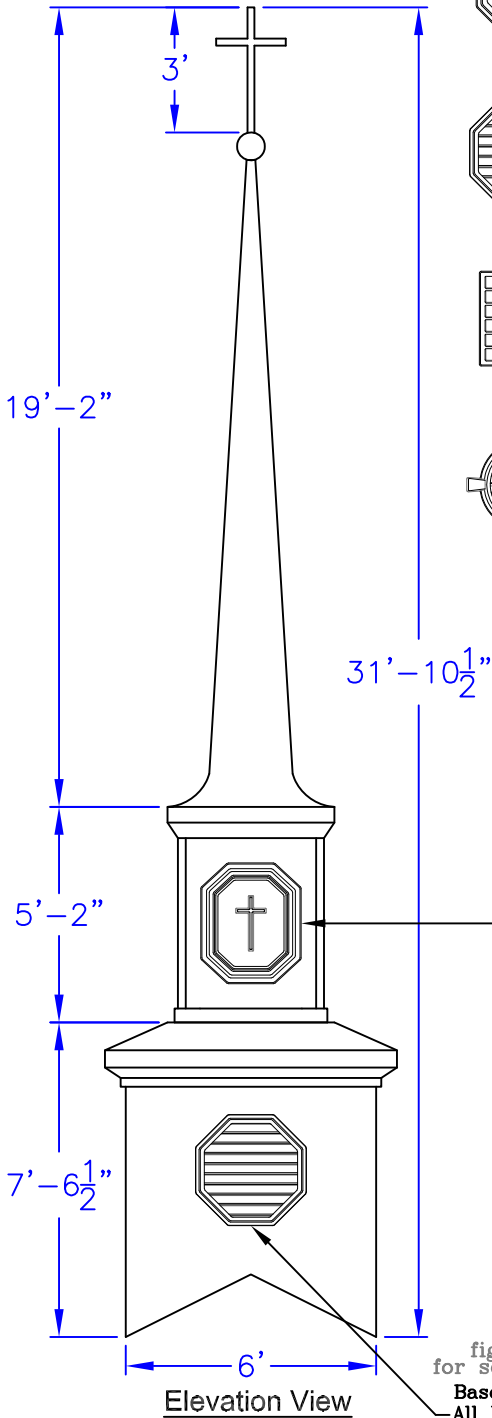
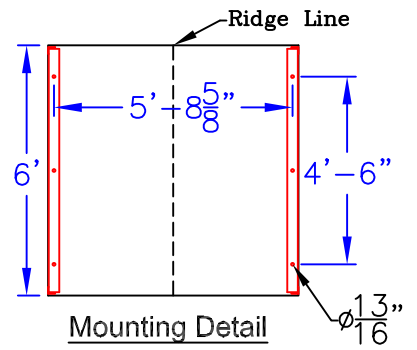


Steeple Data
 Overall Width = 6'-0"
 Overall Length = 6'-0"
 Overall Height = 31'-10 1/2"
 Unit Weight = 850 lbs.

Available Standard Panels:

**Available Premium Panels:
 With Krinkleglass**



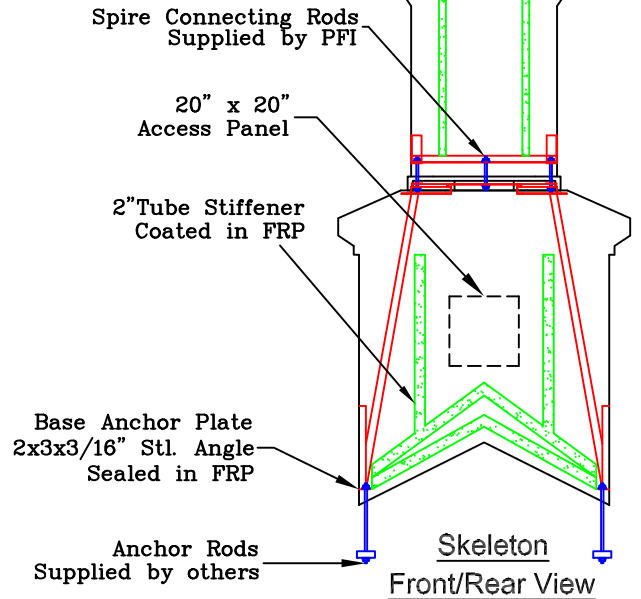
Vented & Screened Upgrade Available for Panels 101, 102, 103, 104, 105, and 114

Krinkleglass Upgrade Available for Panels 201, 202, 203, and 204

Cupola Panels
 Panels 104 and 501 not available in cupola

figure shown for scale reference
 Base Panels
 All Panels shown above available for base.

2" square by 36" Tall Pulltruded FRP Cross
 8" diameter Decorative FRP Ball



Note: All drawings are the property of Piedmont Fiberglass Inc. Dimensions and designs may be altered slightly to accommodate manufacturing.



P.O. Box 1089
 Taylorsville, NC 28681
 Phone: 828-632-8883 Fax: 828-632-5585
 www.PiedmontFiberglass.com

PREMIER	Scale: SCALE
	Drawn by: TJD/JEM
	Created On 5/1/00
	Updated On 02/24/09

Model : **8-W/-BALL-AND-CROSS**