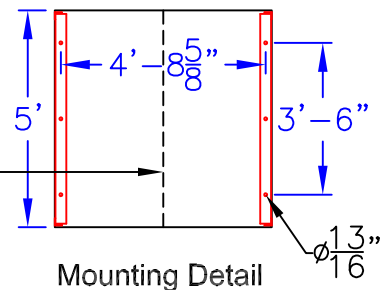


**Steeple Data**  
 Overall Width = 5'-0"  
 Overall Length = 5'-0"  
 Overall Height = 31'-4"  
 Unit Weight = 800 lbs.

Available Standard Panels:

Available Premium Panels:  
With Krinkleglass



101



201



401



102



202



405



103



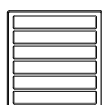
203



410



105



204



415

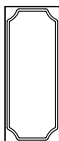


114



Additional Available Premium Panels:

501

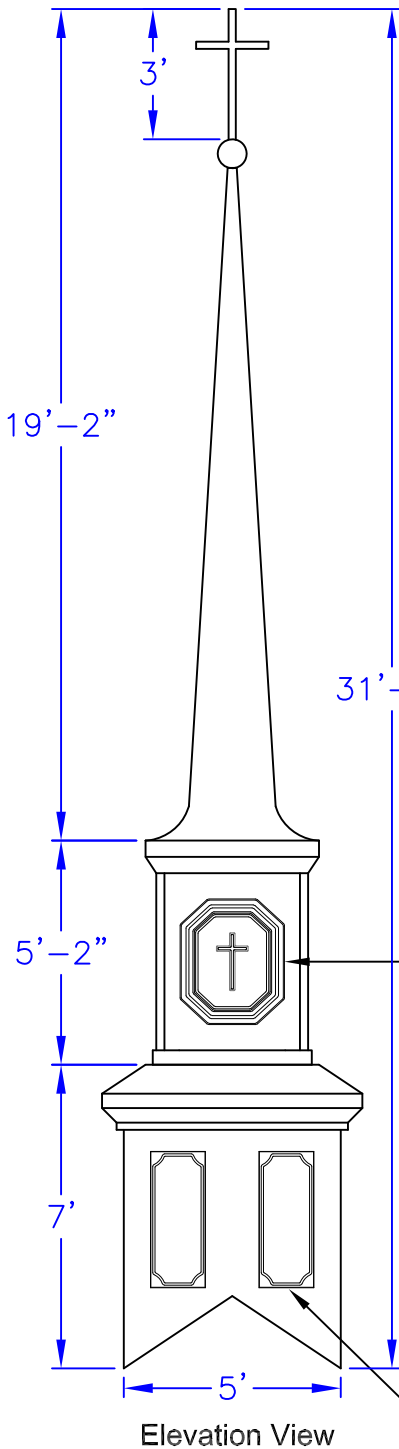


104



Vented & Screened Upgrade Available for Panels 101, 102, 103, 104, 105, and 114

Krinkleglass Upgrade Available for Panels 201, 202, 203, and 204



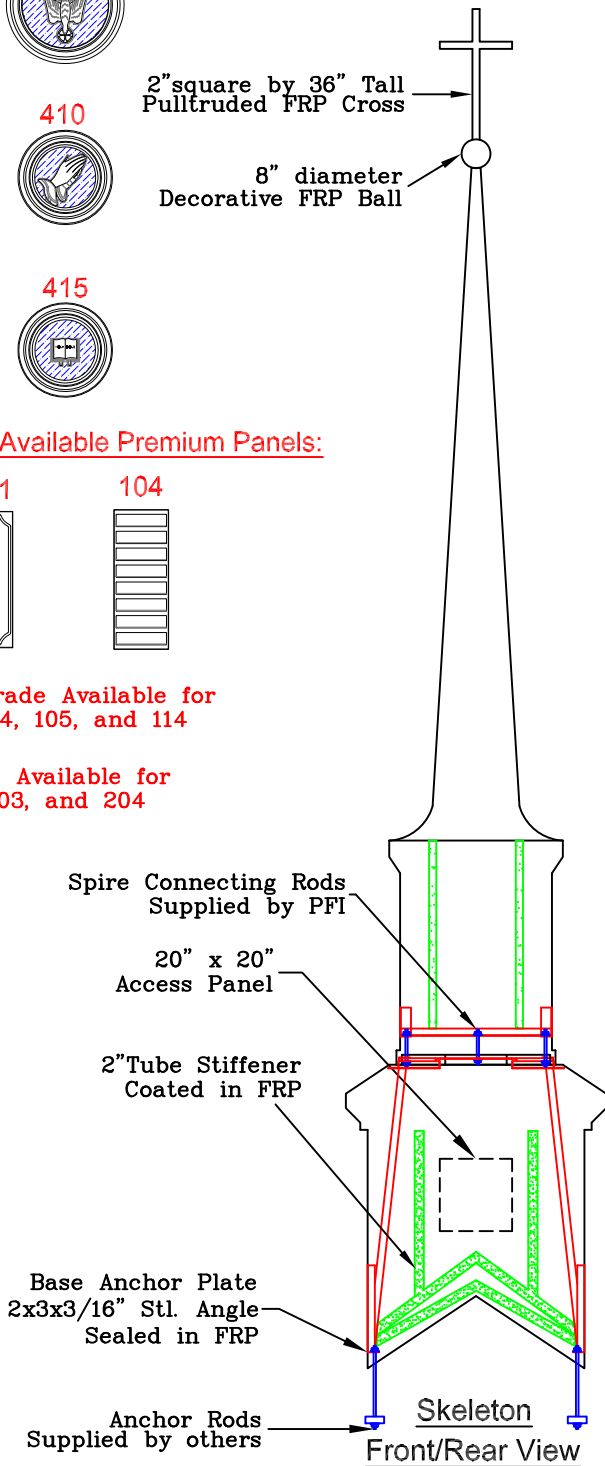
Cupola Panels  
 Panels 104 and 501 not available in cupola



figure shown for scale reference

Base Panels  
 All Panels shown above available for base.

**Elevation View**



Spire Connecting Rods  
 Supplied by PFI

20" x 20"  
 Access Panel

2" Tube Stiffener  
 Coated in FRP

Base Anchor Plate  
 2x3x3/16" Stl. Angle  
 Sealed in FRP

Anchor Rods  
 Supplied by others

**Skeleton  
 Front/Rear View**

Note: All drawings are the property of Piedmont Fiberglass Inc. Dimensions and designs may be altered slightly to accommodate manufacturing.



P.O. Box 1089  
 Taylorsville, NC 28681  
 Phone: 828-632-8883 Fax: 828-632-5585  
 www.PiedmontFiberglass.com

**PREMIER**  
 Model :  
**8-5-W/-BALL-AND-CROSS**

Scale:  
**SCALE**  
 Drawn by:  
 TJD/JEM  
 Created On  
 5/1/00  
 Updated On  
 02/24/09