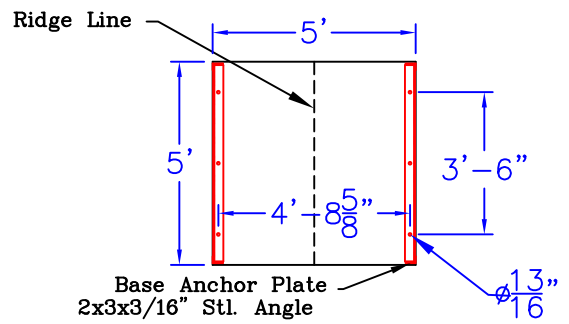
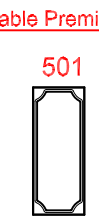
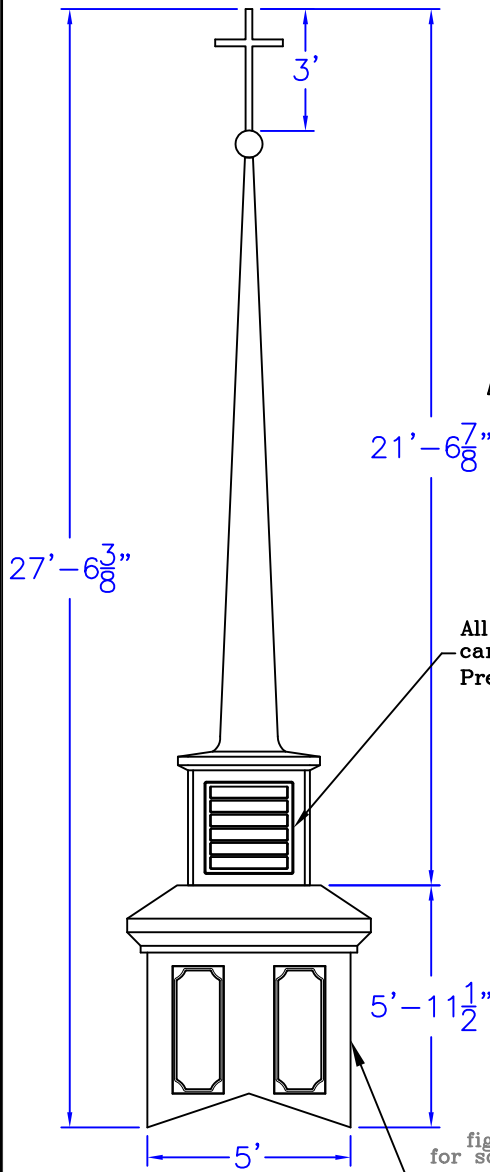


Available Standard Panels: Available Premium Panels:
With Krinkleglass

Steeple Data
Overall Width = 5'-0"
Overall Length = 5'-0"
Overall Height = 27'-6 3/8"
Unit Weight = 550 lbs.



Mounting Detail



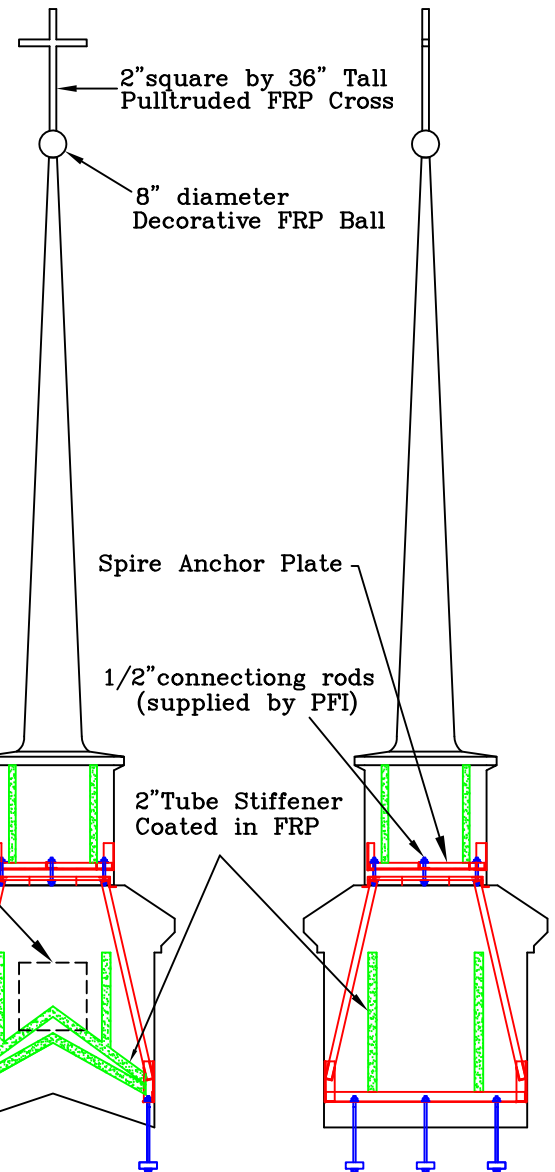
Elevation View

Krinkleglass Upgrade Available

Availability of panels on the front of the base is dependent on the pitch of the church. Consult your dealer for more details.

All available panels shown above can be used in place of this square louver. Premium panel 501 not available here.

Base panels available see panels shown above for available options.



Skeleton Front/Rear View

Skeleton Side View

Note: All drawings are the property of Piedmont Fiberglass Inc. Dimensions and designs may be altered slightly to accommodate manufacturing.



P.O. Box 1089
Taylorsville, NC 28681
Phone: 828-632-8883 Fax: 828-632-5585
www.PiedmontFiberglass.com

BEACON
Model :
4-S-5-WI-BALL-AND-CROSS

Scale:
SCALE
Drawn by:
LD/JEM
Created On
01/16/06
Updated On
01/19/09