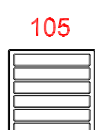
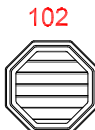


**Steeple Data**  
 Overall Width = 6'-0"  
 Overall Length = 6'-0"  
 Overall Height = 35'-1"  
 Unit Weight = 850 lbs.

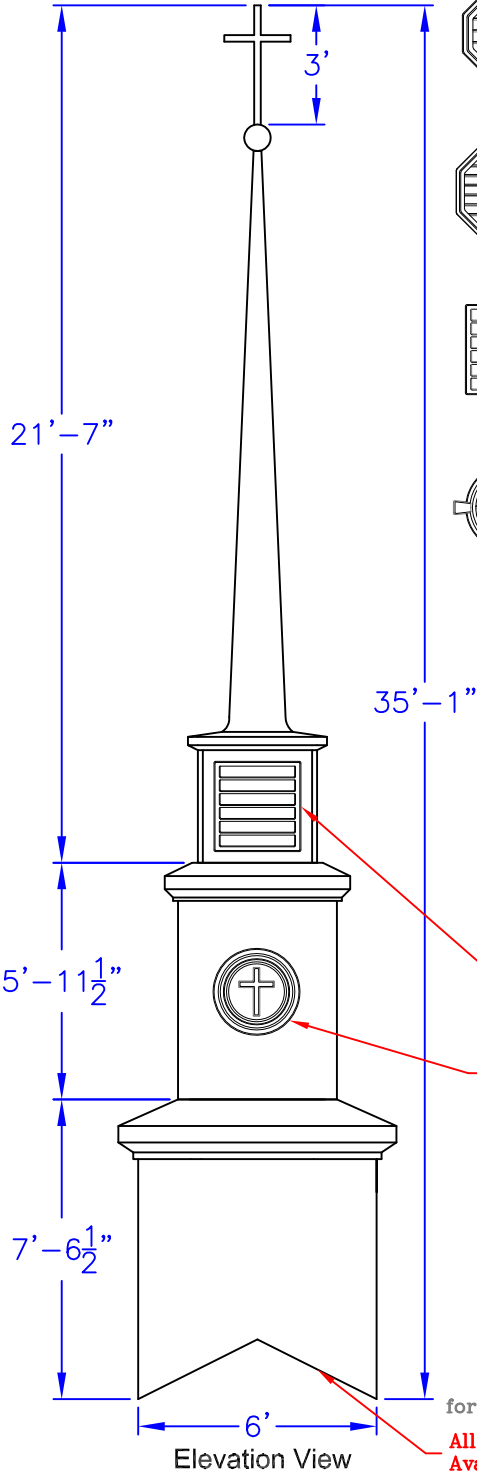
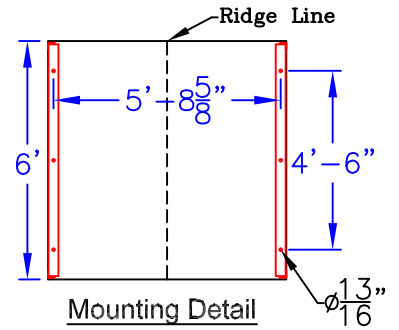
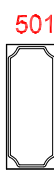
Available Standard Base Panels:

Available Premium Base Panels:

With Krinkleglass



Additional Available Premium Base Panels:



Vented & Screened Upgrade Available for Panels 101, 102, 103, 104, 105, and 114

Krinkleglass Upgrade Available for Panels 201, 202, 203, and 204

Available Spire Panels: 101, 102, 105, 201, and 202

Available Cupola Panels: 101, 102, 103, 105, 201, 202, and 203

figure shown for scale reference

All Panels Shown Above Are Available Base Panels

2" square by 36" Tall Pultruded FRP Cross

8" diameter Decorative FRP Ball

Spire Connecting Rods Supplied by PFI

Cupola Connecting Rods Supplied by PFI

20" x 20" Access Panel

2" Tube Stiffener Coated in FRP

Base Anchor Plate 2x3x3/16" Stl. Angle Sealed in FRP

Anchor Rods Supplied by others

Skeleton Front/Rear View

Note: All drawings are the property of Piedmont Fiberglass Inc. Dimensions and designs may be altered slightly to accommodate manufacturing.



P.O. Box 1089  
 Taylorsville, NC 28681  
 Phone: 828-632-8883 Fax: 828-632-5585  
 www.PiedmontFiberglass.com

<b>PREMIER</b>	Scale: SCALE
	Drawn by: TJD/JEM
	Created On 5/1/06
	Updated On 02/26/09

Model : **34-W/-BALL-AND-CROSS**