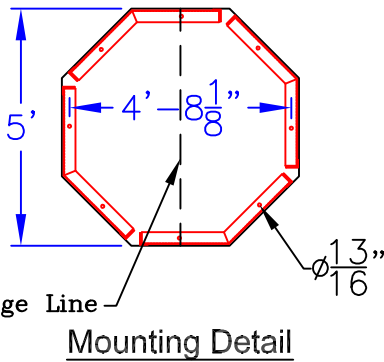
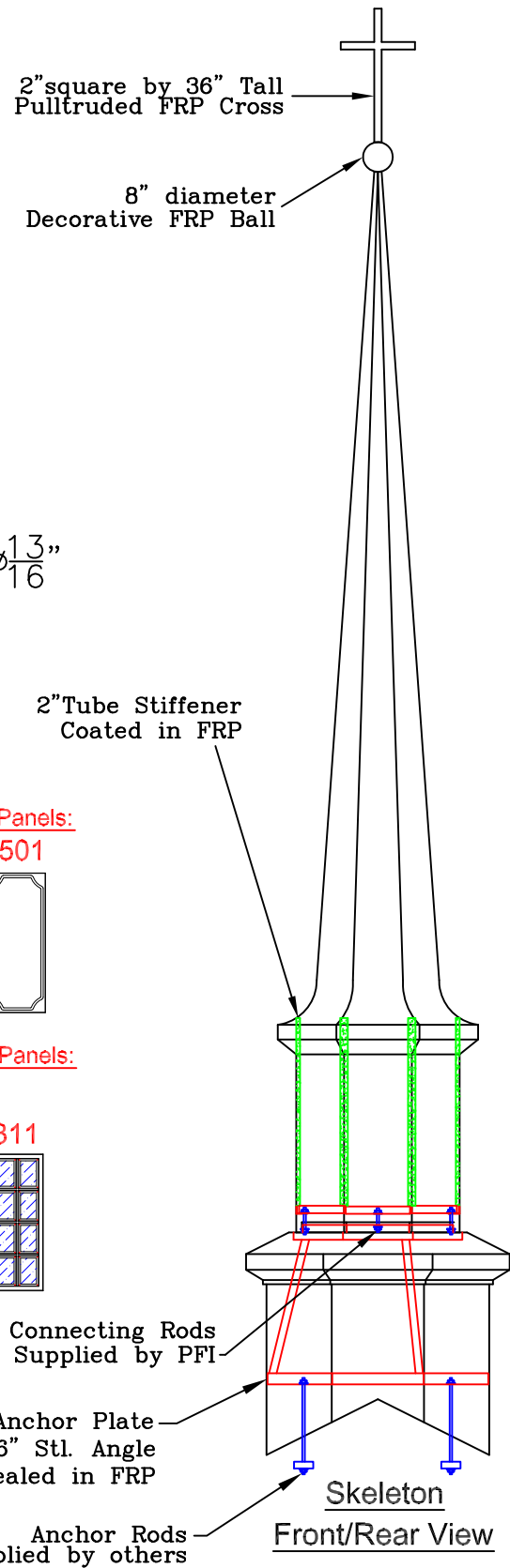
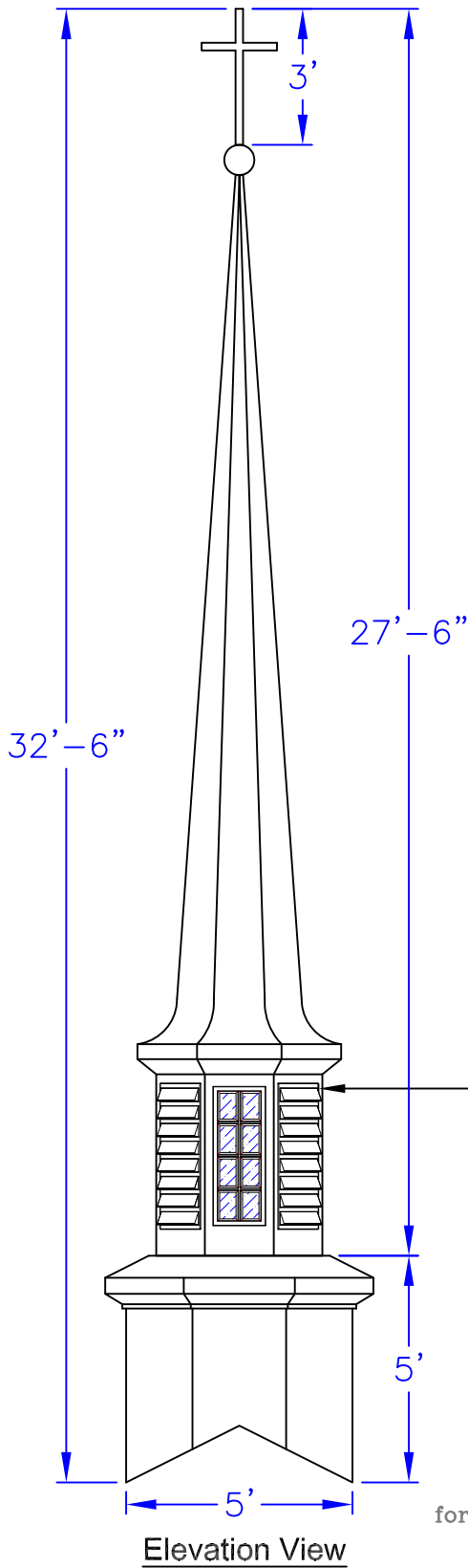
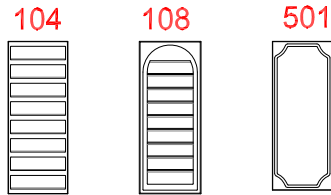


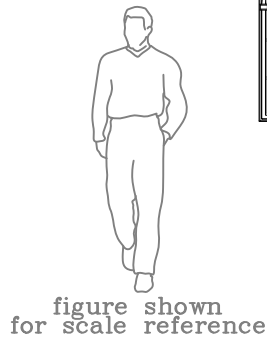
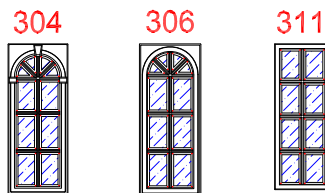
**Steeple Data**  
 Overall Width = 5'-0"  
 Overall Length = 5'-0"  
 Overall Height = 32'-6"  
 Unit Weight = 675 lbs.



**Available Standard Cupola Panels:**



**Available Premium Cupola Panels:  
 With Krinkleglass**



Note: All drawings are the property of Piedmont Fiberglass Inc. Dimensions and designs may be altered slightly to accommodate manufacturing.



P.O. Box 1089  
 Taylorsville, NC 28681  
 Phone: 828-632-8883 Fax: 828-632-5585  
 www.PiedmontFiberglass.com

**PREMIER**  
 Model :  
**32-S-W/-BALL-AND-CROSS**

Scale:  
**SCALE**  
 Drawn by:  
 TJD/JEM  
 Created On  
 10/29/03  
 Updated On  
 01/30/09