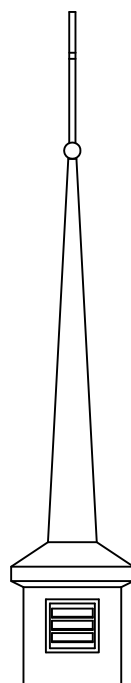
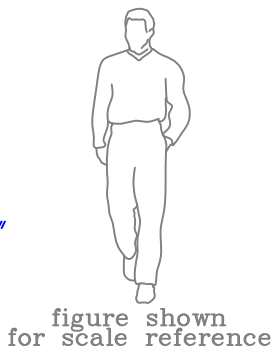
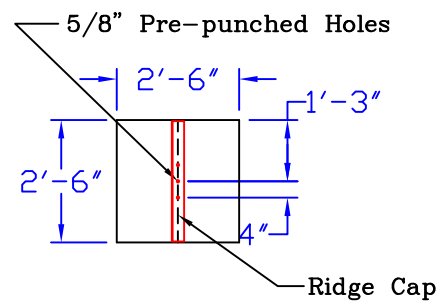


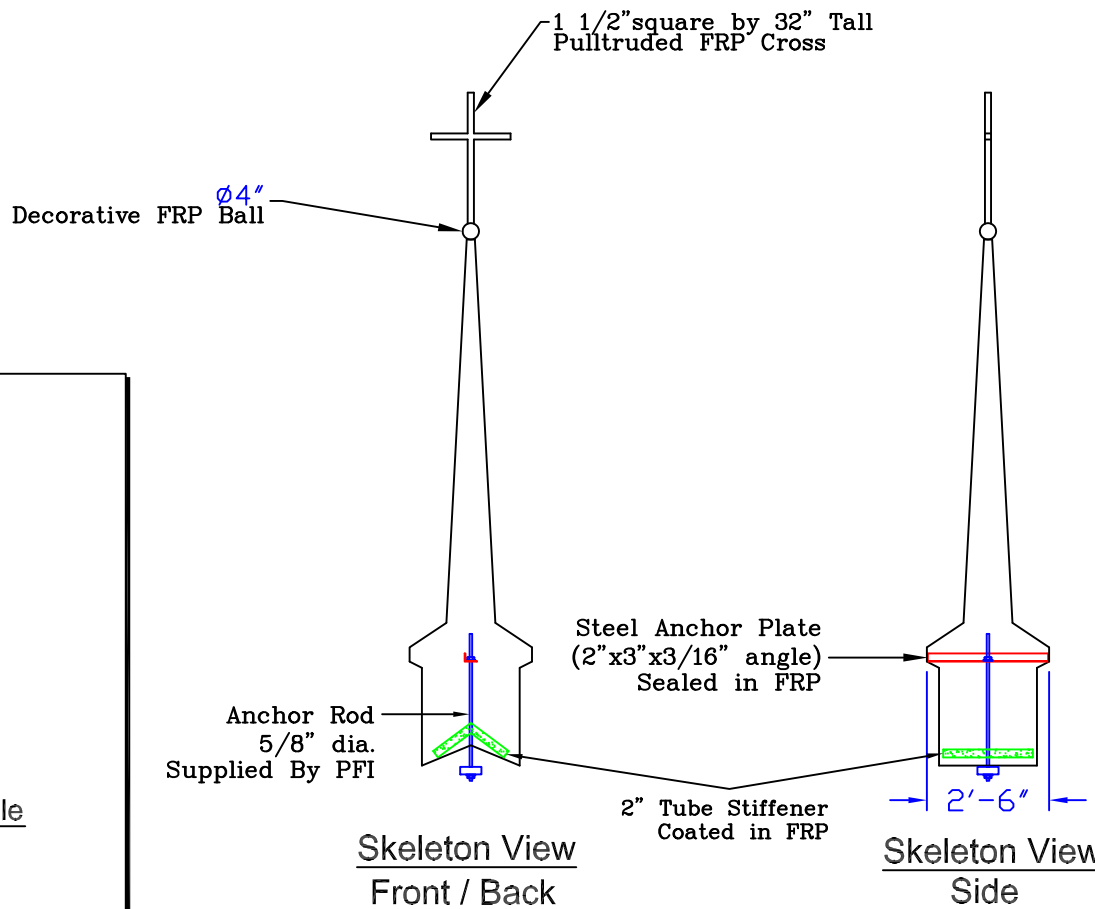
Elevation View
Front / Back



Elevation View
Side



Mounting Detail



Skeleton View
Front / Back

Skeleton View
Side

Steeple Data

Overall Width = 2'-0"
Overall Length = 2'-0"
Overall Height = 13'-9"
Unit Weight = 100 lbs.

Standard Panels:
Mini Square Louver

Front Panel Availability
Dependent Upon Church
Roof Pitch

Premium Panels Available
None Available

Note: All drawings are the property of Piedmont Fiberglass Inc. Dimensions and designs may be altered slightly to accommodate manufacturing.



P.O. Box 1089
Taylorsville, NC 28681
Phone: 828-632-8883 Fax: 828-632-5585
www.PiedmontFiberglass.com

AMBASSADOR

Model :

16-W-BALL-AND-CROSS

Scale:
SCALE
Drawn by:
TJD/JEM
Created On
2/16/04
Updated On
10/9/09