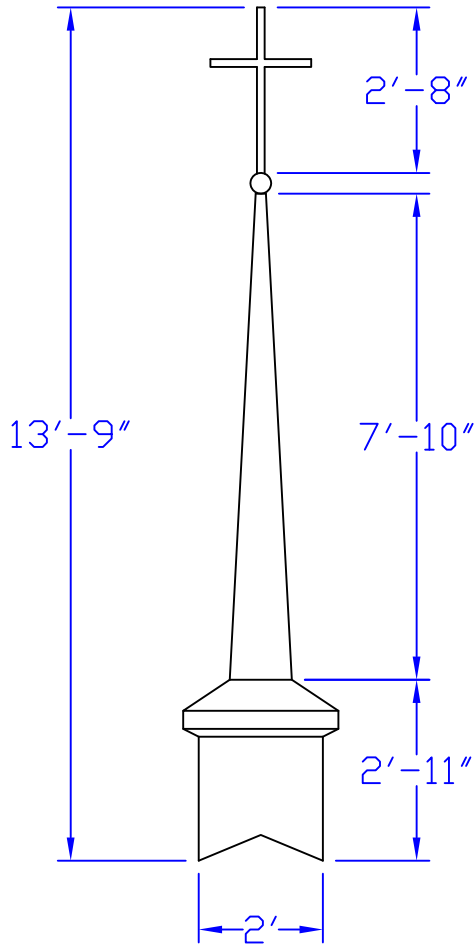


Decorative FRP $\phi 4"$ Ball
 1 1/2" square by 32" Tall Pulltruded FRP Cross

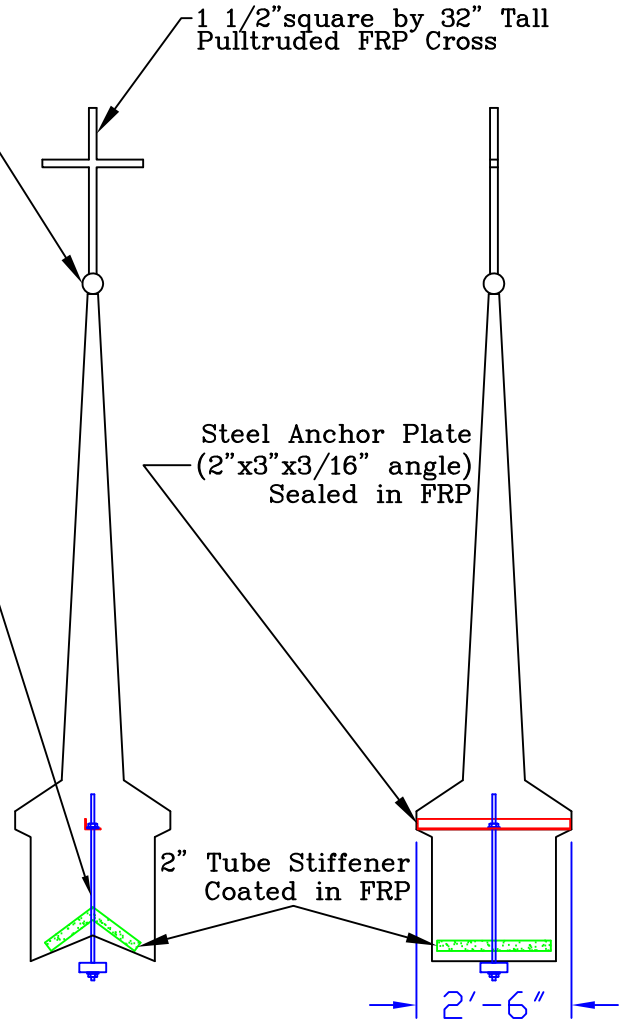


Elevation View

Anchor Rod
 5/8" dia.
 Supplied By PFI



figure shown
 for scale reference



**Skeleton View
 Front / Back**

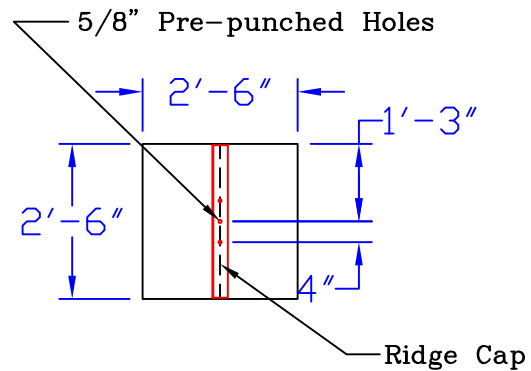
**Skeleton View
 Side**

Steeple Data

Overall Width = 2'-0"
 Overall Length = 2'-0"
 Overall Height = 13'-9"
 Unit Weight = 100 lbs.

Standard Panels Available:
 None Available

Premium Panels Available
 None Available



Mounting Detail

Note: All drawings are the property of Piedmont Fiberglass Inc. Dimensions and designs may be altered slightly to accommodate manufacturing.



P.O. Box 1089
 Taylorsville, NC 28681
 Phone: 828-632-8883 Fax: 828-632-5585
 www.PiedmontFiberglass.com

AMBASSADOR

Model :
15-W-BALL-AND-CROSS

Scale:
SCALE
 Drawn by:
 TJD/JEM
 Created On
 2/16/04
 Updated On
 12/11/08