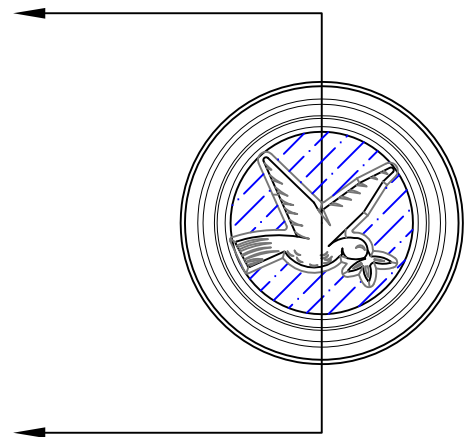
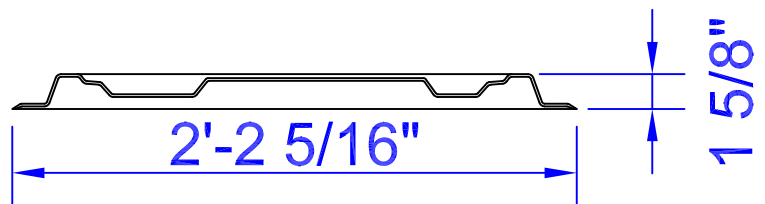


Front View

**Krinkleglass Standard
on This Panel**



Steeple Panel Data
 Overall Width = 2'-2 5/16"
 Overall Length = 2'-2 5/16"
 Overall Height = 1 5/8"
 Unit Weight = 4 lbs



Cross-Section Side View

Note: All drawings are the property of Piedmont Fiberglass Inc. Dimensions and designs may be altered slightly to accommodate manufacturing.

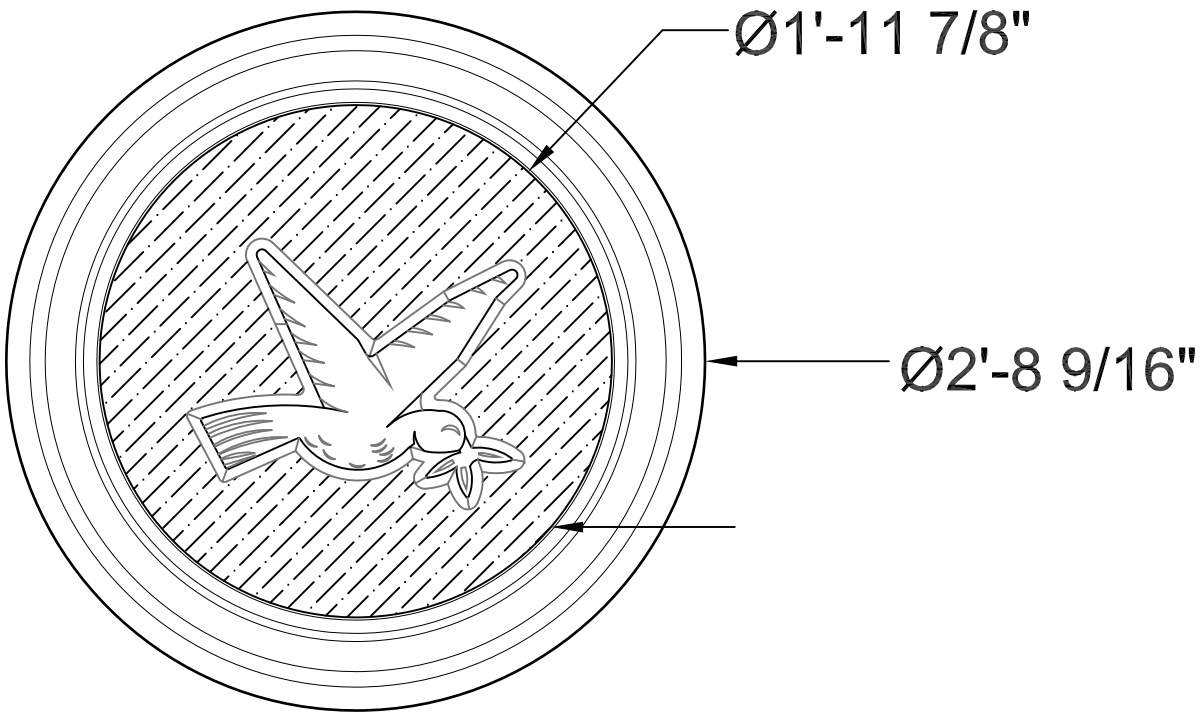


Old Fashioned Craftsmanship With Modern Composites Technology

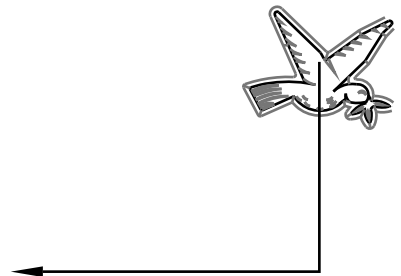
P.O. Box 1089
 Taylorsville, NC 28681
 Phone: 828-632-8883 Fax: 828-632-5585
 www.PiedmontFiberglass.com

| | |
|----------------------|-------------------------------|
| STEEPLE-PANEL | Scale: SCALE |
| | Drawn by: JEM |
| | Created On 07/22/08 |
| | Updated On 07/22/08 |

Model :
401-DOVE-W/-OLIVE-BRANCH



Steeple Panel Data
 1'-8 9/16"



1 11/16"

| |
|------------|
| Scale: |
| Drawn by: |
| Created On |
| Updated On |