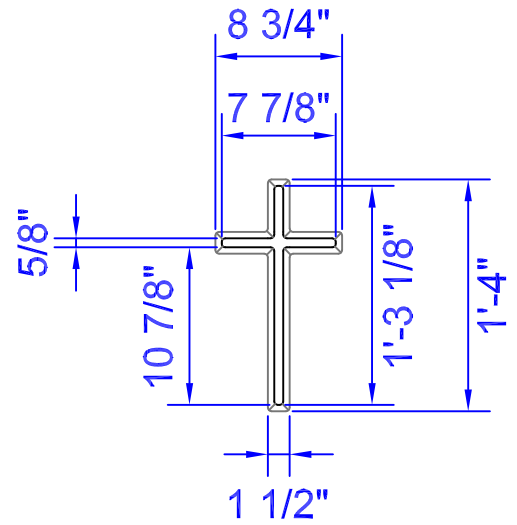
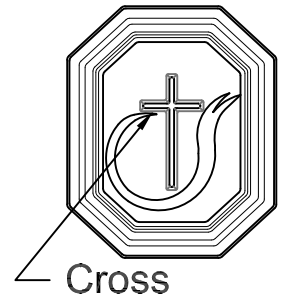
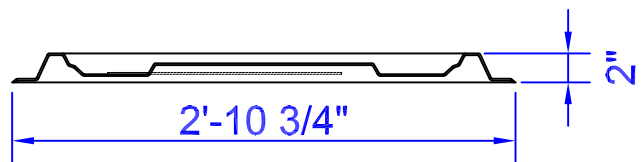
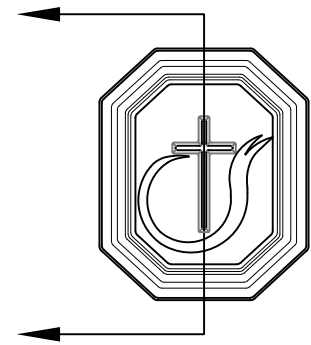


Front View



Front View of Cross



Cross-Section Side View

Steeple Panel Data
 Overall Width = 2'-4 7/8"
 Overall Length = 2'-10 3/4"
 Overall Height = 2"
 Unit Weight = 7.25 lbs

Standard Red / Blue Paint



Note: All drawings are the property of Piedmont Fiberglass Inc. Dimensions and designs may be altered slightly to accommodate manufacturing.



P.O. Box 1089
 Taylorsville, NC 28681
 Phone: 828-632-8883 Fax: 828-632-5585
 www.PiedmontFiberglass.com

STEEPLE-PANEL	Scale: SCALE
	Drawn by: JEM
	Created On 10/24/08
	Updated On 10/24/08

Model :
425-CHURCH-OF-GOD